

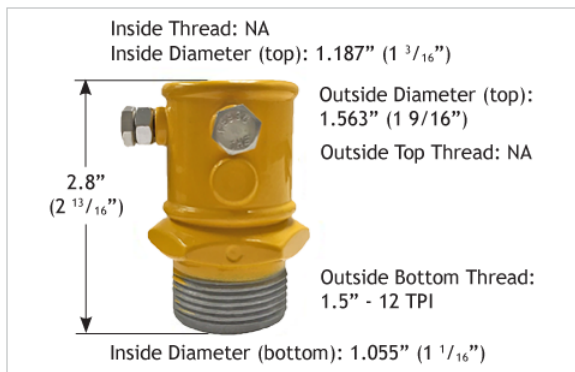
INSTALLATION & MOUNTING

Frangible Couplings

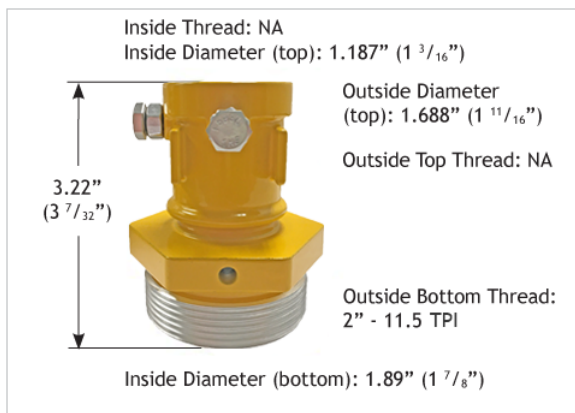
Airfield Couplings

Frangible (breakaway) couplings have a calculated yield point designed for specific applications. For this reason the coupling used must match the application for which it was designed. Use of couplings in applications outside of the intended design may result in premature or catastrophic failure. Most couplings, in combination with a clamping device or mechanism, provide both mechanical and electrical frangibility. This combination of protection minimizes potential damage to the unit itself and the object that strikes it.

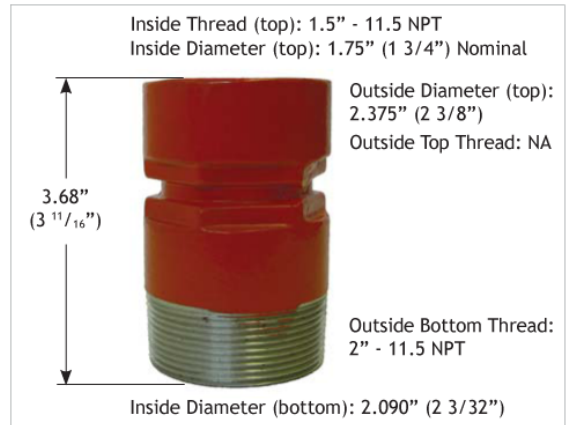
Note: Couplings and mounting flanges are not shown to scale.



L-861/L-862 Runway/Taxiway Edge Part #: 62B0073/SPARE



L-861/L-862 Runway/Taxiway Edge Part #: 61A0281/SPARE



L-880/L-881 PAPI

Part #: 62A0711



L-861/L-862 Runway/Taxiway Edge

Part #: 62B0461/SPARE

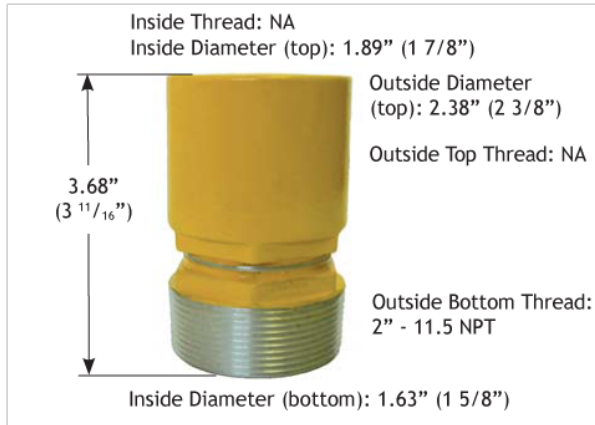


L-861/L-862 Runway/Taxiway Edge

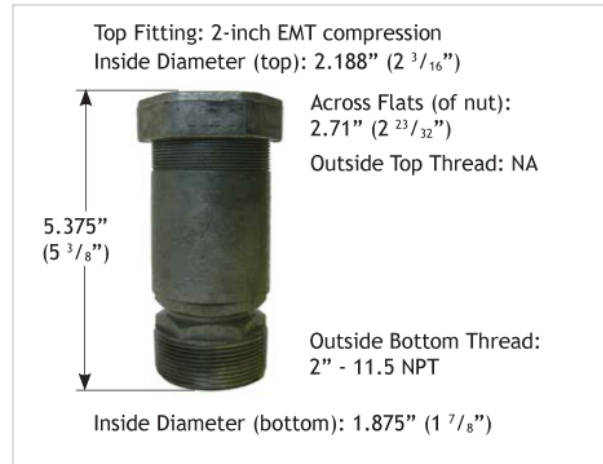
Part #: 61A0350/SPARE

INSTALLATION & MOUNTING

Frangible Couplings



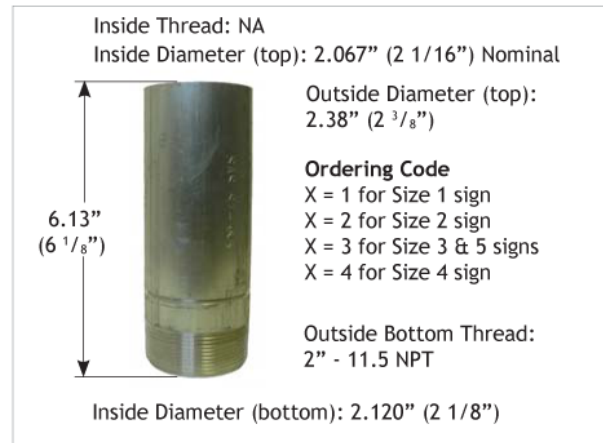
L-862 Runway Edge (2-inch Column) Part #: 62B0605



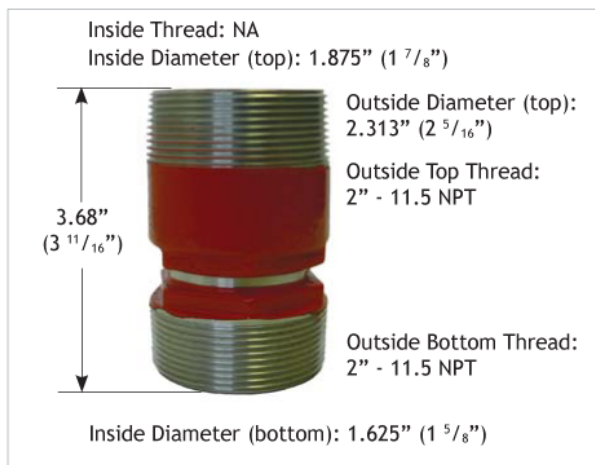
PAPI, REIL, MALSR Part #: 44B0180



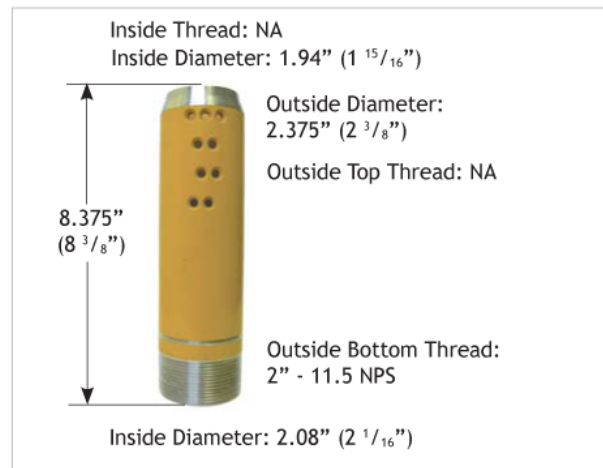
L-849 REIL Part #: 62B0064



L-858 (Triangle Shaped) Sign Part #: 62B0580-X



L-806 Wind Cone Part #: 62B0286




L-804 Elevated RGL (FAA) Part #: 60A2398

INSTALLATION & MOUNTING

Frangible Couplings

Inside Thread: N/A
Inside Diameter (top): 2.41" (2-7/16")
Outside Diameter (top): 2.875" (2-7/8")




Ordering Code:
X = 10 for Size 1 Mode 2
X = 20 for Size 2 Mode 2
X = 40 for Size 3 & 4 Mode 2
X = 30 for Size 5 Mode 2

X = 30 for Size 1 Mode 3
X = 50 for Size 2 & 5 Mode 3
X = 31 for Size 3 Mode 3
X = 41 for Size 4 Mode 3

Inside Diameter (bottom): 2.323" (2-21/64")
Outside Thread (bottom): 2.5"-8 NPT

L-858(L) Signature Series Sign Part #: 60A2678/X

5-inch Diameter Bolt Circle
2" - 11.5 NPT (tapered)
Flange Thickness: $\frac{3}{8}$ "
Overall Dia.: $6 \frac{1}{4}$ "



Flange: Sign, PAPI, REIL
Part #: 62B0107-2

6-inch Diameter Bolt Circle
2.5" - 8 NPT (tapered)
Flange Thickness: $\frac{7}{16}$ "
Length: $7 \frac{1}{2}$ "
Width: $5 \frac{1}{16}$ "



Flange: Sig. Series Sign
Part #: 62A2142

8-inch Diameter Bolt Circle
2.5" - 8 NPT (tapered)
Flange Thickness: 0.40"
($\frac{13}{32}$ ")
Dimensions: $7 \frac{3}{4}$ " x $7 \frac{3}{4}$ "



Flange: Sig. Series Sign,
Hi Wind Part #: 62A2146

Note: Couplings and mounting flanges are **not** shown to scale.

www.adbsafegate.com